

NIMBLE 70

- Light-weight
- Safe
- Easy to Operate



NIMBLE 70

Operation Switch

One-touch button operation



Switch

Up/Down switch
Two-speed switch

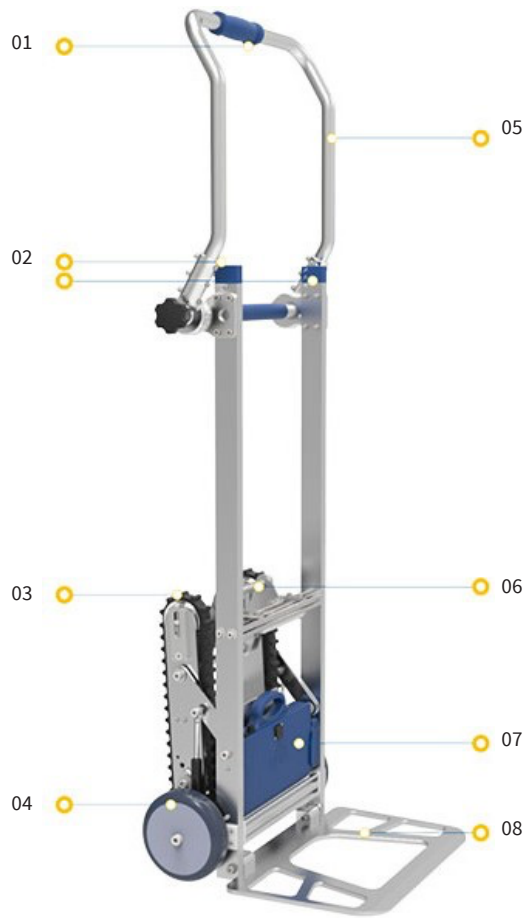
Rubber Track

Rubber, Non-marking Crawler Track,
Wear-resistant and Non-slip.



Motor Brake

Controlled Descent for Safer Operation



Rotating handle

The rotating handle is adjustable for different loads. Rotate forward for easier climbing



Climbing Activation Mode

Use your foot to activate the climbing mode.

Battery Quick Release With Auto Connection

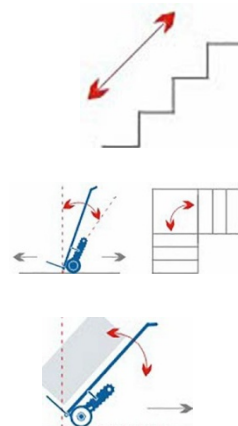
Oversized Foldable Toe-Plate

easy storage and transportation

CLIMBING MODE AND FLAT SURFACE MODE

Climbing mode

Easy Switch between Stair Climbing Mode and Flat Surface Mode using your foot.



Activate climbing mode

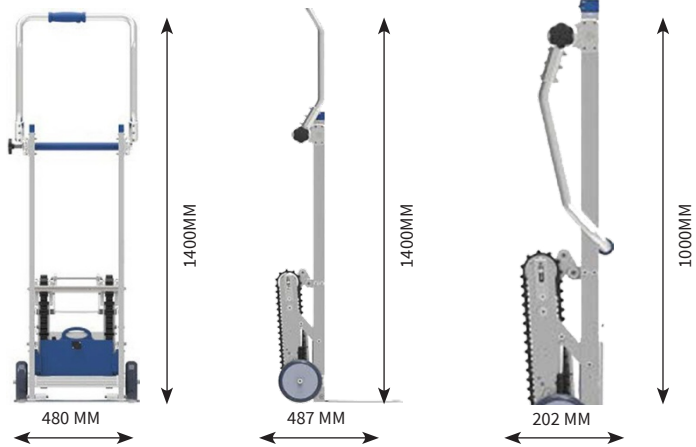
Negotiate landings with climbing mode activated. Tilt the Nimble 70 to 70-90 degrees.

Deactivate Climbing Mode when using on a flat surface.

NIMBLE 70

TECHNICAL PARAMETER

Model	Nimble 70
Item Weight	13.8KG
Maximum Capacity	70KG
Battery Capacity	400-800 Steps (22-50 floors)
Low Speed	28 Steps/Min
High Speed	34 Steps/Min
Motor	DC Motor
Noise	<70dB
Protection Grade	IP54
Step Requirement	Height<21 CM Width>25CM



PARTS



Lithium Battery

Battery Capacity: 48V 2AH

Battery Weight: 1KG



Charger

Input: 100V-240V

Output: 54.6V 2AH



Switches

Upstairs/ Downstairs Switch

High/Low-Speed Switch



Strap

Size: 55x3700MM

Adjustable Strap Buckle

ACCESSORIES



KEG HOLDER

Adjustable Height, One movement secures the keg



CYLINDER HOLDER

Single or Double-cylinder holder



BOX CLIPS

Ideal for interlocking boxes. Clips slide up and down the frame of the Nimble to secure the crates/boxes.

NIMBLE 70

APPLICATIONS



USED IN.....



Homes



Offices



Community facilities



Supermarket



Airport



Hospital



Garden



Factory



We've got your back!